

# auto electrical parts

## Technical Information Sheet

### Part No. 0-351-55

5 position switch, accessory/off/accessory and ignition/pre-heat/start. Protected to DIN400050, IP64. 26mm diameter panel hole. Supplied with two shrouded unique keys, one of 50 available combinations.

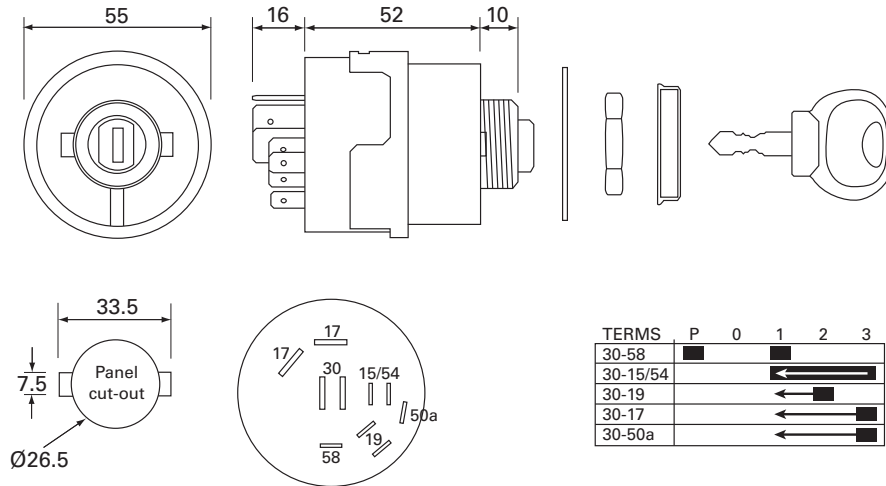
#### Additional information

- Terminal:     15/54 - Switched ignition positive  
                   17    - Start  
                   19    - Pre-heat  
                   30    - Battery supply positive  
                   50a   - Starter  
                   58    - Park lights

Connecting socket with terminals part 0-351-52, rear splash-proof cover part 0-351-60.



#### Technical Drawing (not to scale)



#### Specification

Type	Ignition switch
Voltage	12/24 volt
Load at 24 volt (12 volt)	Term 30 - 58           4A     (8A) Term 15/54 - 30     17.5A (35A) Term 19 - 30        30A   (70A)   2 min max Term 17 - 30        30A   (70A)   1 min max Term 50a - 30      40/5A (70/18A) momentary/1 min max
Panel thickness	3.0mm max
Operating temp	-40° to +90°C
Case	Reinforced PA6
Terminals	6 x 6.3mm and 4 x 9.5mm
Life	25,000 operations
Protection	IP64
Weight	185g
Dimensions	See diagram

The information contained in this document is correct to the best of our knowledge at the time of printing. However, specifications may change at any time without notice.